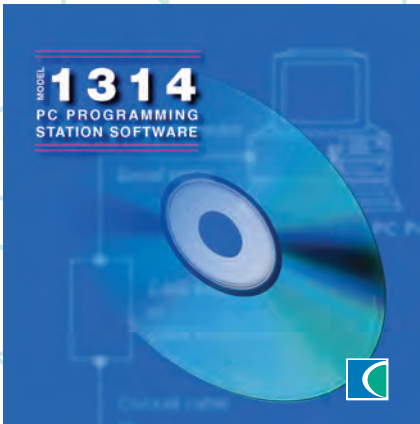


PC PROGRAMMING STATION SOFTWARE



CURTIS

MODEL 1314



DESCRIPTION

The Curtis Model 1314 PC Programming Station simplifies programming, testing and diagnosing Curtis speed controllers and auxiliary devices and provides database and tracking features.

APPLICATION

The Curtis Model 1314 PC Programming Station provides a powerful Windows interface for adjusting the settings, troubleshooting and recording the parameters of any Curtis product with a serial or CAN bus interface. Model 1314 works with all microprocessor-based Curtis controllers and chargers. It is the ideal companion to the Model 1311 Handheld Programmer for the OEM manufacturing site, dealer service centers and the more advanced users.

FEATURES

- Compatible with Curtis speed controllers and auxiliary devices.
- Backward compatible to the Curtis Model 1307 Programmer.
- Intuitive and friendly user interface.
- Allows the reading/clearing of the diagnostic history, monitoring of real-time data and aids in performing tests.
- Facilitates cloning of data between controllers.
- Load and save parameter settings.
- Print or export parameters, monitor values and fault history logs.
- Supports software updating for the MC-2 product line.
- Provides MS-Access database support.
- On-line Help.
- 4 Access levels (User, Service, Dealer, OEM) to control sensitive data and settings.

MINIMUM SYSTEM REQUIREMENTS

- Intel Pentium II 500
- MS-Windows 98/NT 4.0 with service pack 4/ 2000 /XP
- 64 MB RAM
- 1 free Serial Port or USB Port (CAN)

CURTIS INSTRUMENTS, INC.
200 KISCO AVENUE
MT. KISCO, NY 10549 USA
TEL (914) 666-2971
FAX (914) 666-2188

CURTIS INSTRUMENTS, (UK) LTD.
5 UPPER PRIORY STREET
NORTHAMPTON NN1 2PT, ENGLAND
TEL 44 (0) 1604-629755
FAX 44 (0) 1604-629876

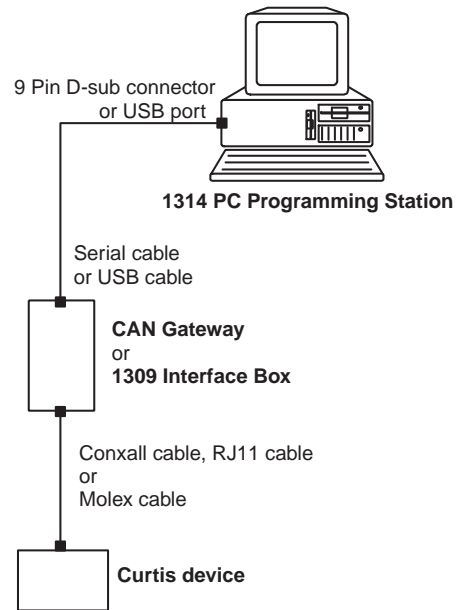
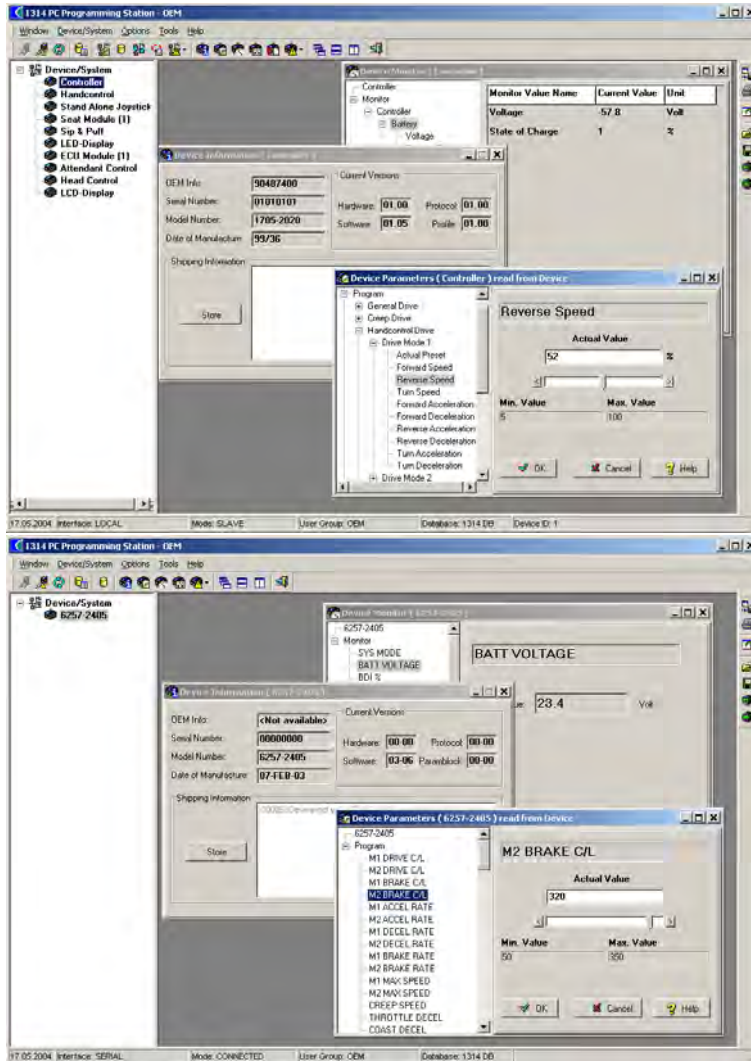
**CURTIS INSTRUMENTS INDIA
PRIVATE LTD.**
1199, GHOLE ROAD
PUNE 411004, INDIA
TEL 91 (0) 20-5531288
FAX 91 (0) 20-5539192

MODEL 1314

MODEL CHART

Part #	Model #	Description
17465704	1314-1101	1314 PC Programming Station (User) CD-ROM
17465705	1314-2201	1314 PC Programming Station (Service) CD-ROM
17465706	1314-3301	1314 PC Programming Station (Dealer) CD-ROM
17465707	1314-4401	1314 PC Programming Station (OEM) CD-ROM
17465701		CAN/RS232 Gateway
17465702		Conxall cable for CAN/RS232 Gateway
17465709		CAN USB Gateway
16994001		1309 Interface Box
16185		Molex Cable for 1309 Interface Box
98955		RJ11 Cable for 1309 Interface Box
17519033		Conxall Cable for 1309 Interface Box

TYPICAL PROGRAMMING SCREENS



WARRANTY Two year limited hardware warranty from time of delivery.