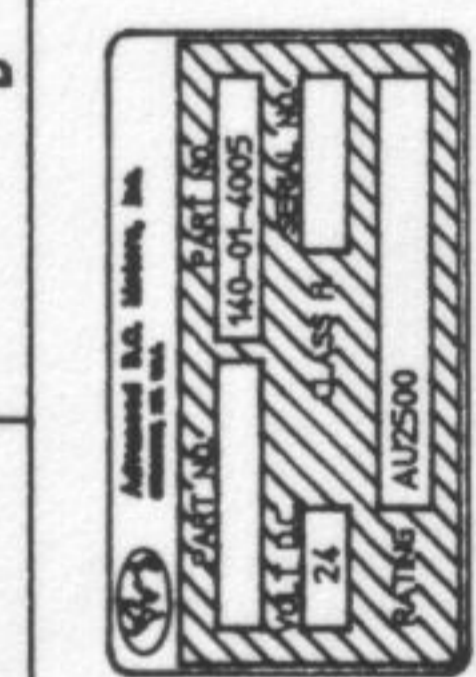
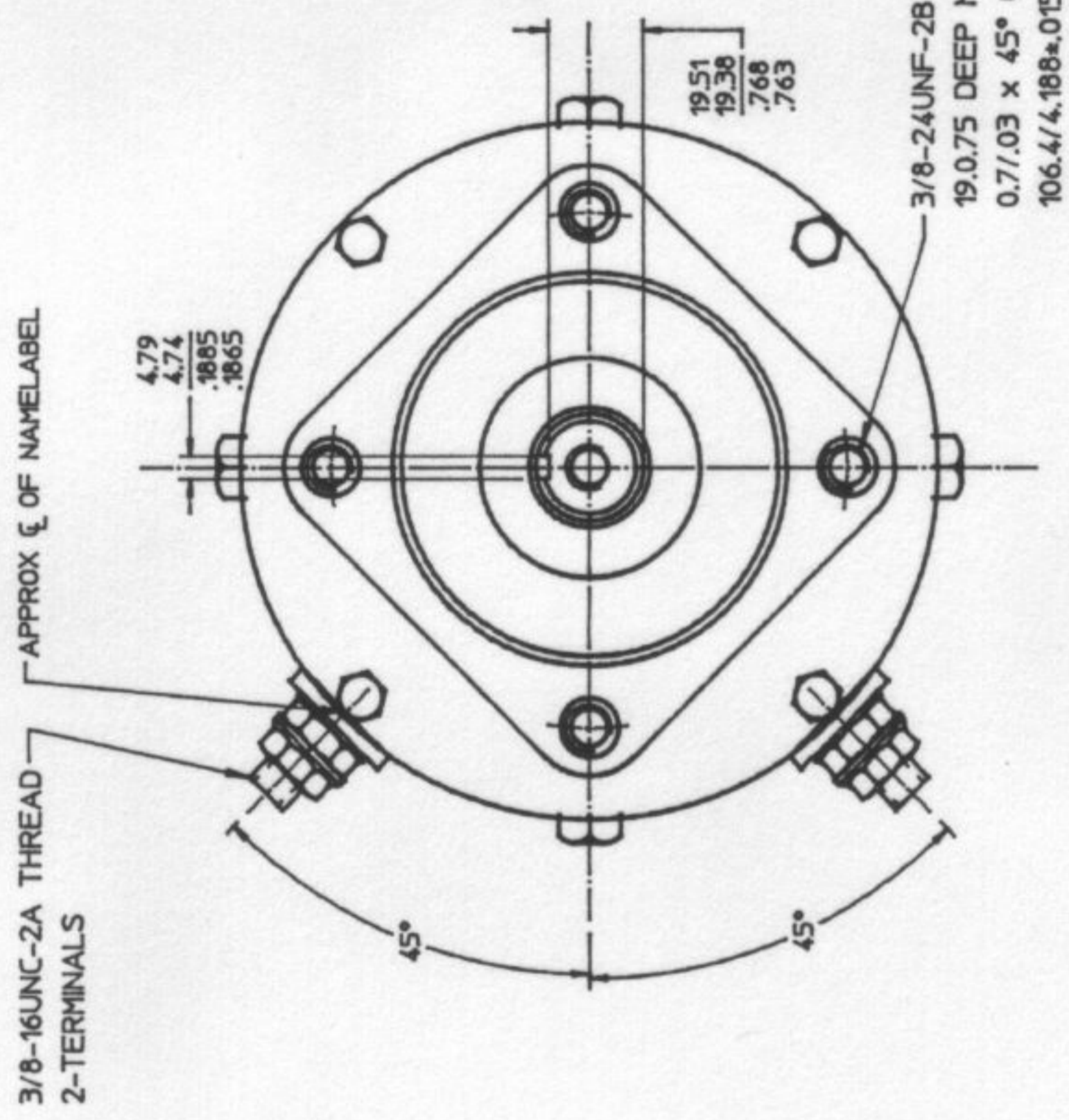
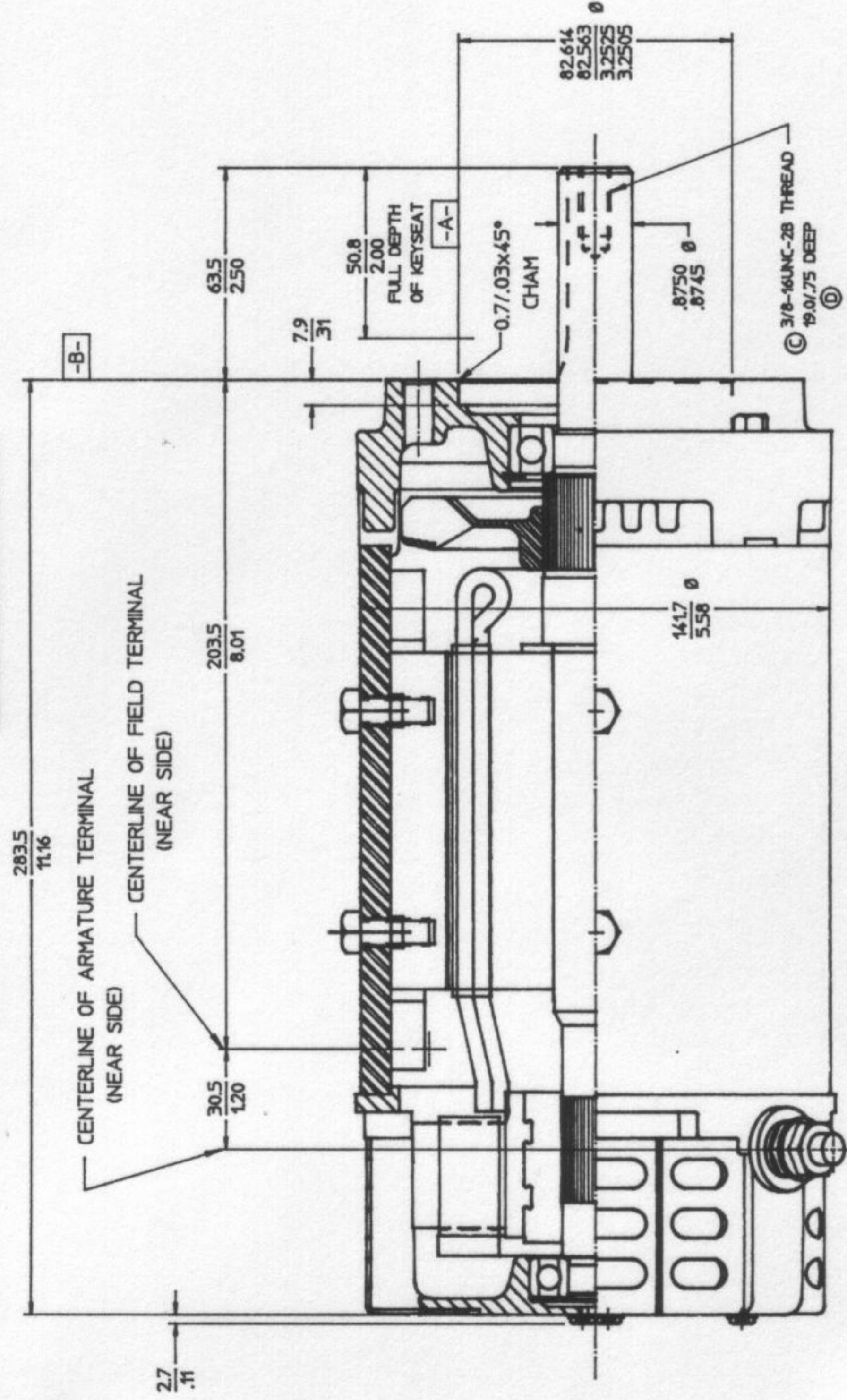


Notice - Advanced D.C. Motors, Inc. reserves proprietary rights in the information disclosed on this drawing. It is loaned in confidence for engineering information only and may not be used in whole or in part to manufacture anything similar or of like nature, reproduced or distributed to anyone without direct written permission from Advanced D.C. Motors, Inc.



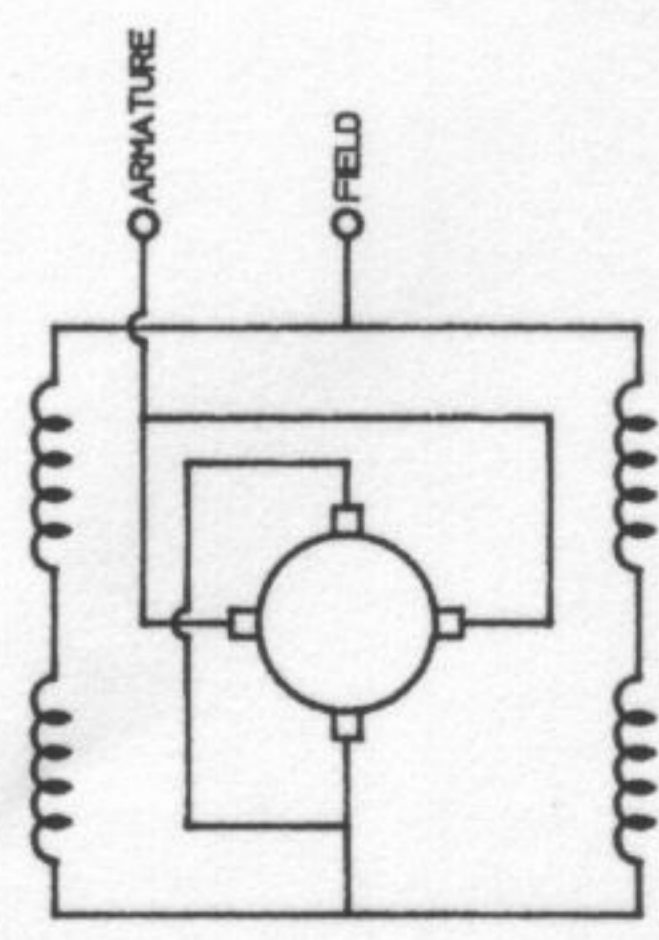
-NAMEPLATE STAMPED WITH CUSTOMER PART #  
 -ADVANCED PART # AND 24 VOLT  
 -CODE DATE STAMPED ON FRAME NEAR NAMEPLATE  
 -U.L. ID # AU2500 AND CURRENT DATE STAMPED ON NAMEPLATE IN RATING BOX

OUTLINE DIMENSIONS ARE NOMINAL UNLESS TOLERANCES ARE SPECIFIED



- ROTATION: C.W.D.E.
- CLASS "H" INSULATION
- FINISH: FRAME-BLACK PAINT
- END HEADS-NATURAL ALUMINUM
- DESIGNED WITH INTENT TO MEET U.L. SPEC # 583
- LATEST EDITION FOR 'E' & 'EE' INDUSTRIAL ELECTRIC TRUCKS
- TEST TO CURVE: C-52

**CONTROLLED DOCUMENT**



WIRING DIAGRAM

24 VOLT

MILLIMETER / INCHES OR MILLIMETER INCHES	MILLIMETER INCHES	PROJECTION
		THIRD ANGLE

NAME		DRIVE MOTOR OUTLINE	
Advanced D.C. Motors, Inc. Syracuse, N.Y.		Advanced D.C. Motors, Inc. Syracuse, N.Y.	
SIZE	SCALE	DRAWN	DATE
D	FULL	TMC	11-06-92
PART NO.		140-01-4005	
<small>This plan is the property of Advanced D.C. Motors, Inc. and reproduction or publication in whole or in part without the written consent of Advanced D.C. Motors, Inc. is prohibited. Information without reference to this plan is void.</small>			
FORMA	REV	DATE	
D-3	D	WAS 80 DEEP	FORMA 05-28-94
D-3	C	ADDED 3/8" THREAD	FORMA 05-06-94
H-4	B	WAS XP-1187	REL 07 05-09-94
A	A	WAS 50"	TC/ED 05-22-98
ZONE/REV	BY	DATE	
	WAS		