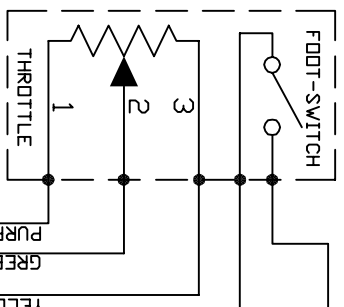
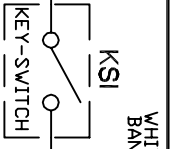


THROTTLE MAY INCLUDE INTERLOCKS NOT SHOWN

THROTTLE



KSI LOGIC POWER



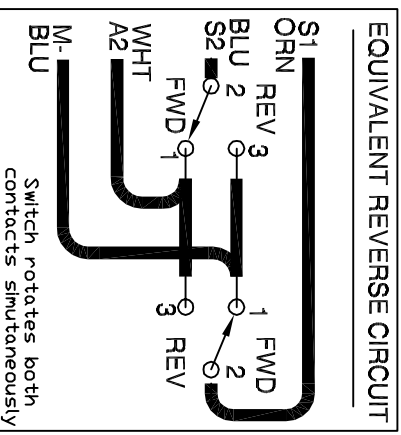
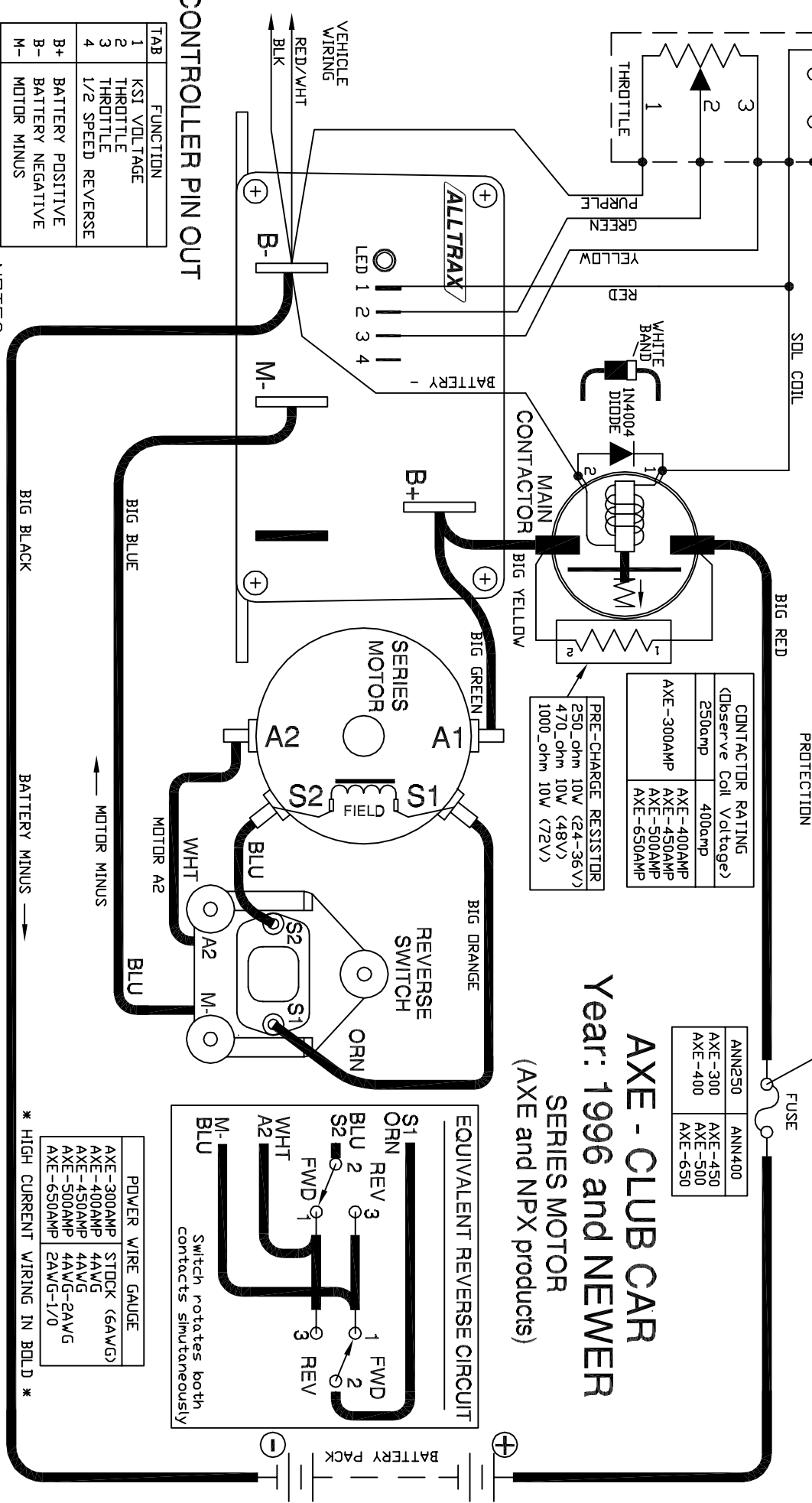
BATTERY VDC	12-48V	72V
FUSE VDC	60V	100V
FUSE RATING		

AXE-300AMP	AXE-400AMP	AXE-450AMP	AXE-500AMP	AXE-650AMP
250amp	400amp	470_ohm 10W (48V)	1000_ohm 10W (72V)	

CONTACTOR RATING (Observe Coil Voltage)	AXE-300AMP	AXE-400AMP	AXE-450AMP	AXE-500AMP	AXE-650AMP
PRE-CHARGE RESISTOR	250_ohm 10W (24-36V)	470_ohm 10W (48V)	1000_ohm 10W (72V)		

PART NO. Doc100-044
6/12/2007

AXE - CLUB CAR
Year: 1996 and NEWER
SERIES MOTOR
(AXE and NPX products)



POWER WIRE GAUGE	STOCK (6AWG)
AXE-300AMP	4AWG
AXE-400AMP	4AWG
AXE-450AMP	4AWG
AXE-500AMP	4AWG-2AWG
AXE-650AMP	2AWG-1/0

VEHICLE WIRING
RED/WHT
BLK

CONTROLLER PIN OUT

TAB	FUNCTION
1	KSI VOLTAGE
2	THROTTLE
3	THROTTLE
4	1/2 SPEED REVERSE
B+	BATTERY POSITIVE
B-	BATTERY NEGATIVE
M-	MOTOR MINUS

NOTES:

- * FUSES REQUIRED FOR ALL INSTALLATIONS
- * DIODE REQUIRED ACROSS COILS OF RELAYS OR CONTACTORS
- * PRE-CHARGE RESISTOR REQUIRED
- > ASSUMES FOOTSWITCH IS OPEN WHEN THROTTLE OFF
- > ALLTRAX RESERVES THE RIGHT TO CHANGE DOCUMENTATION WITHOUT NOTICE
- > ALLTRAX MAKES NO WARRANTY AS TO THE ACCURACY, SUFFICIENCY, OR SUITABILITY OF ANY TECHNICAL OR OTHER INFORMATION PROVIDED
- > SEE OPERATORS MANUAL FOR MORE INFORMATION

DO NOT SCALE DRAWING

REVISIONS		DWG SCALE: NTS	
REV.	ECO.	DATE	APVD
A	010407	010407	TT
B	090407	090407	TT
DRAWN: T.Thorne		110106	
ENGR: D.Crockett		110706	
<p>PROPRIETARY AND TO ALLIANCE INC. THIS TECHNICAL DATA IS UNCLASSIFIED, REPRODUCED, RELEASED, OR DISCLOSED IN WHOLE OR IN PART WITHOUT THE PERMISSION OF ALLIANCE INC.</p>			
TITLE		ALLTRAX 1111 Cheney Creek Rd. Grants Pass, OR 97527 PHONE:(541) 478-3565	
AXE-Club Car 1996 and Newer			
Wiring Diagram			
SIZE	DOCUMENT NO.	Doc100-044	
A	S		
REV.	B		
FILE: DWG-AXE-Clubcar-1996-wire-dwg	SHEET	1of1	