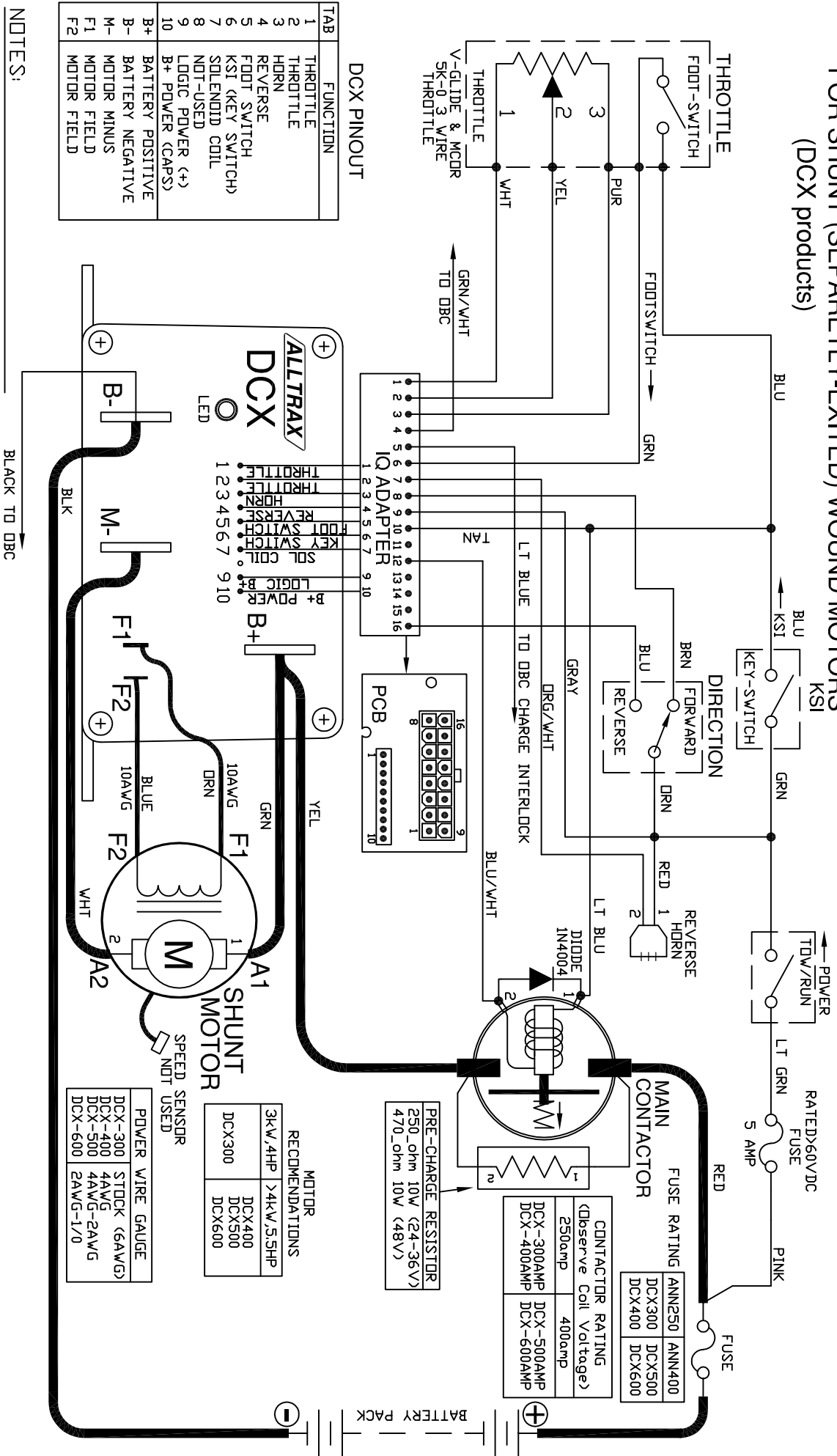


DCX to CLUB IQ FOR SHUNT (SEPARATELY-EXCITED) WOUND MOTORS (DCX products)

PART NO. Doc100-054
3/15/2007



TAB	FUNCTION
1	THROTTLE
2	THROTTLE
3	HORN
4	REVERSE
5	FOOT SWITCH
6	KST (KEY SWITCH)
7	SLENDID COIL
8	NOT-USED
9	LOGIC POWER (+)
10	B+ POWER (CAPS)
B+	BATTERY POSITIVE
B-	BATTERY NEGATIVE
M-	MOTOR MINUS
F1	MOTOR FIELD
F2	MOTOR FIELD

NOTES:

- * FUSES REQUIRED FOR ALL INSTALLATIONS
- * DIODE REQUIRED ACROSS COILS / RELAYS
- * TOW/RUN SWITCH PREVENTS REGEN WHILE TOWING
- > ASSUMES FOOTSWITCH IS OPEN WHEN THROTTLE OFF
- > ALLTRAX RESERVES THE RIGHT TO CHANGE DOCUMENTATION WITHOUT NOTICE
- > ALLTRAX MAKES NO WARRANTY AS TO THE ACCURACY, SUFFICIENCY, OR SUITABILITY OF ANY TECHNICAL OR OTHER INFORMATION PROVIDED
- > SEE OPERATORS MANUAL FOR MORE INFORMATION

MOTOR	RECOMMENDATIONS
3Kv, 4HP	>4Kv, 5.5HP
DCX300	DCX400
	DCX500
	DCX600

POWER WIRE GAUGE	STOCK (6AWG)
DCX-300	4AWG
DCX-400	4AWG-2AWG
DCX-500	2AWG-1/0
DCX-600	

REVISIONS			DWG SCALE: NTS	
REV.	ECO.	DATE	APVD	DRAWN
A		090407	090407	TT
B		102208	123008	RC

ENGR	D/Crockett	121406
R. CSUK		031507

THIS TECHNICAL DATA IS PROPRIETARY AND SHALL NOT BE REPRODUCED, RELEASED, OR DISCLOSED IN WHOLE OR IN PART WITHOUT THE WRITTEN PERMISSION OF ALLTRAX INC.

1111 Cheney Creek Rd.
Grants Pass, OR 97527
PHONE:(541) 476-3565

DCX to Club Car IQ WITH
Separate Excited Motors - Wiring Dia

SIZE DOCUMENT NO. Doc100-054

REV. B

FILE: _DWG-DCX-CLUBCAR-IQ-WIRE-DIA.DWG SHEET 1 of 1

DO NOT SCALE DRAWING