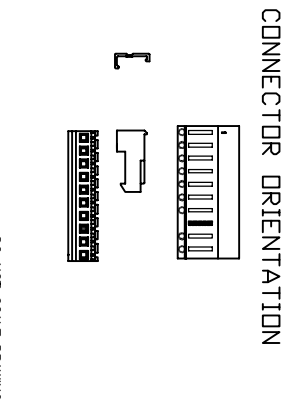
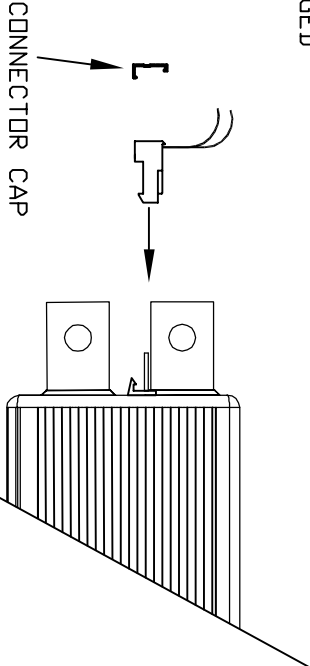
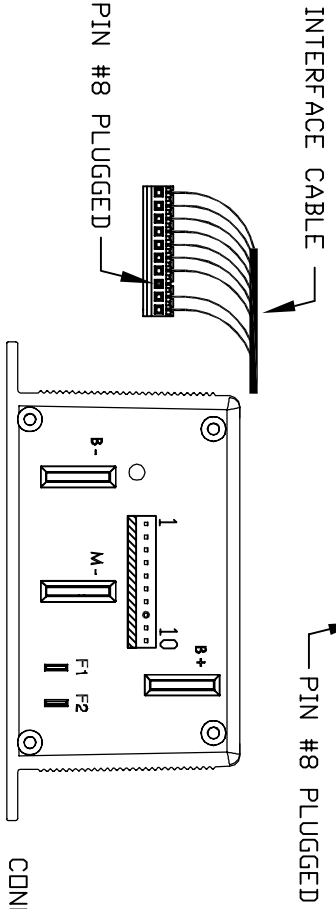


KEYING PLUG
640629-1
(ENLARGED VIEW)



NOTES:

- > ALLTRAX RESERVES THE RIGHT TO CHANGE DOCUMENTATION WITHOUT NOTICE
- > ALLTRAX MAKES NO WARRANTY AS TO THE ACCURACY, SUFFICIENCY, OR SUITABILITY OF ANY TECHNICAL OR OTHER INFORMATION PROVIDED
- > SEE OPERATORS MANUAL FOR MORE INFORMATION

DO NOT SCALE DRAWING

REVISIONS			
REV.	ECO.	DATE	APVD
A	010507	010507	TT

DWG SCALE: NTS		DRAWN: T.Thorne		DATE: 1-07-07	
ENGR: C.Pfehl		C/Pfehl		1-07-07	
<p>PROPRIETARY THIS TECHNICAL DATA IS PROPRIETARY AND IS RELEASED ON REQUEST BY PERMISSION OF ALLTRAX INC.</p>					
<p>TITLE DCX CONTROLLER CONNECTOR</p>					
FILE:	-DWG-DCX-10PN-CONNECTOR	SHEET	1 of 1	REV.	A
SIZE	DOCUMENT NO.	Doc100-063		REV.	A

ALLTRAX 1111 Cheney Creek Rd.
Grants Pass, OR 97527
PHONE:(541) 476-3585