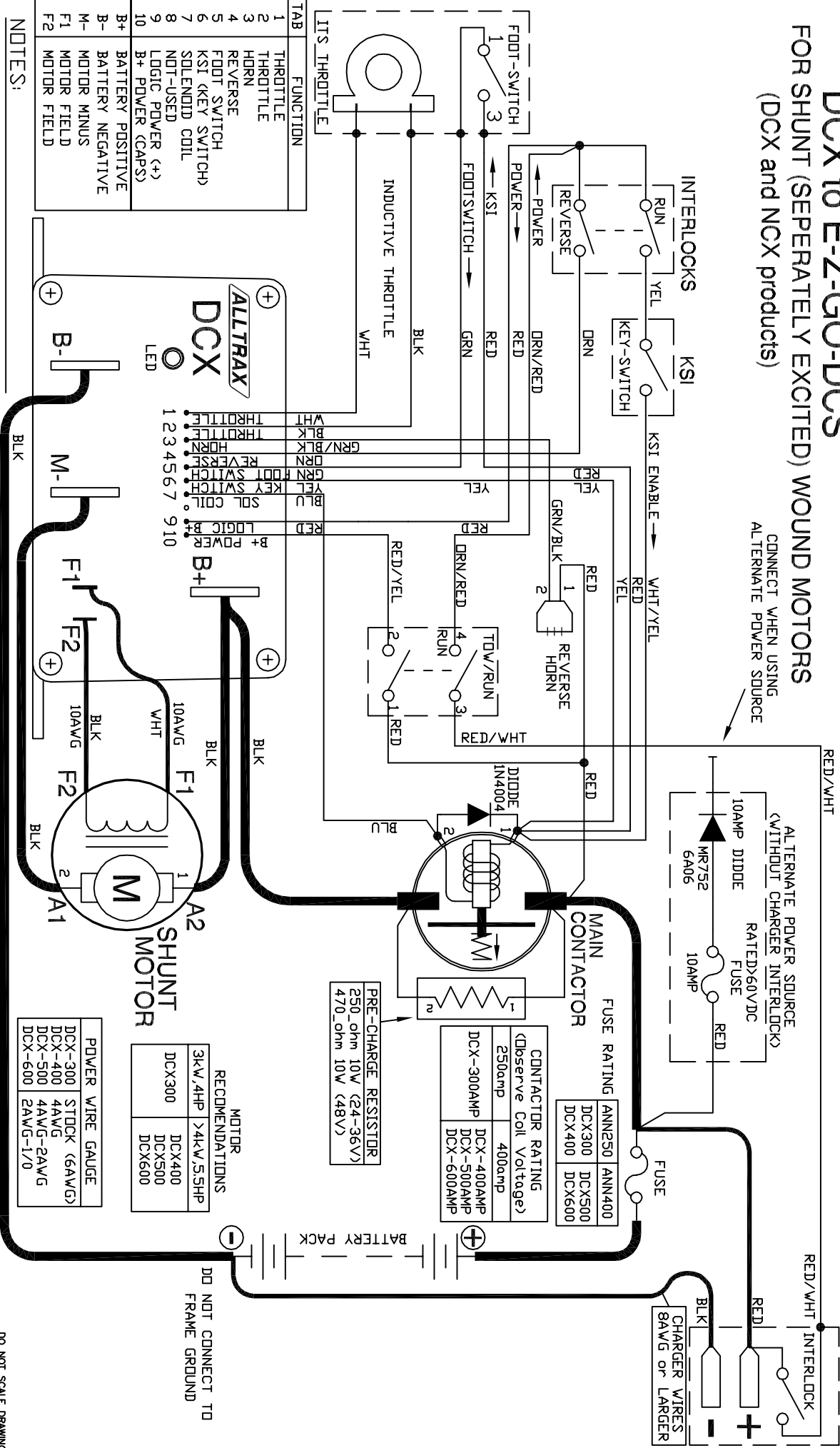


DCX to E-Z-GO-DCS

FOR SHUNT (SEPERATELY EXCITED) WOUND MOTORS

(DCX and NCX products)



- NOTES:
- * FUSES REQUIRED FOR ALL INSTALLATIONS
 - * DIODE REQUIRED ACROSS COILS / RELAYS
 - * TDW/RUN SWITCH PREVENTS REGEN WHILE TDWING
 - > ASSUMES FOOTSWITCH IS OPEN WHEN THROTTLE OFF
 - > ALLTRAX RESERVES THE RIGHT TO CHANGE DOCUMENTATION WITHOUT NOTICE
 - > ALLTRAX MAKES NO WARRANTY AS TO THE ACCURACY, SUFFICIENCY, OR SUITABILITY OF ANY TECHNICAL OR OTHER INFORMATION PROVIDED
 - > SEE OPERATORS MANUAL FOR MORE INFORMATION

TAB	FUNCTION
1	THROTTLE
2	THROTTLE
3	HORN
4	REVERSE
5	FOOT SWITCH
6	KSI (KEY SWITCH)
7	SOLENOID COIL
8	NOT-USED
9	LOGIC POWER (+)
10	B+ POWER (CAPS)
B+	BATTERY POSITIVE
B-	BATTERY NEGATIVE
M-	MOTOR MINUS
F1	MOTOR FIELD
F2	MOTOR FIELD

REV.	ECO.	DATE	APVD
A	010407	010407	TT
B	013108	103007	RC
C	041708	041708	RC

REVISIONS	DMG SCALE:	NTS
DRW	T.Thorne	120206
ENGR	D.Crockett	120206

POWER WIRE GAUGE	RECOMMENDATIONS	MOTOR
DCX-300	STDC (6AWG)	3Kw/4HP >4Kw/5.5HP
DCX-400	4AWG	DCX400
DCX-500	4AWG-2AWG	DCX500
DCX-600	2AWG-1/0	DCX600