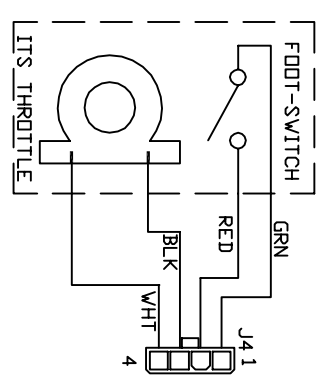
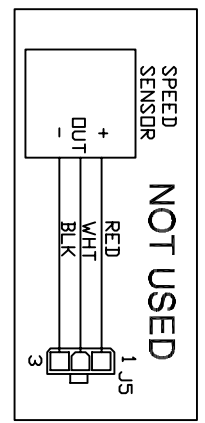


DCX to E-Z-GO-PDS

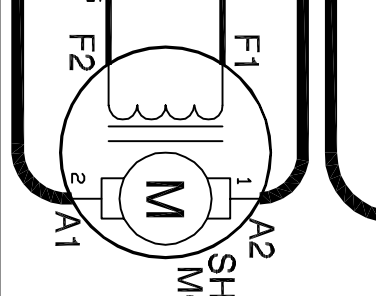
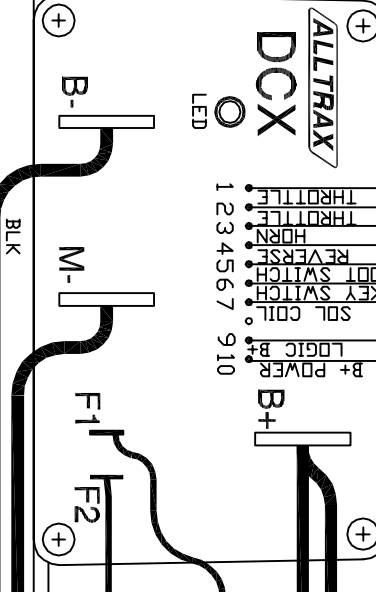
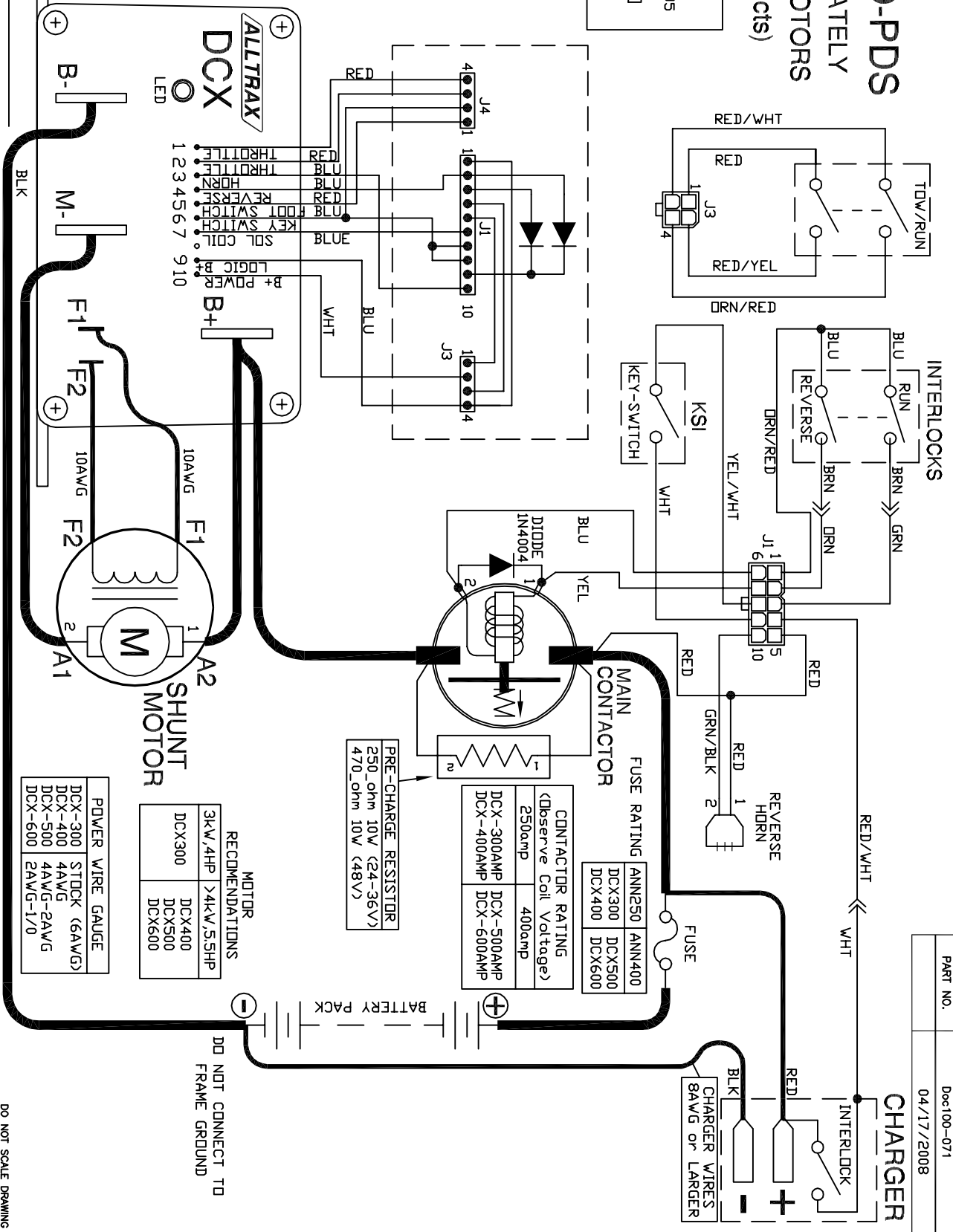
FOR SHUNT (SEPERATELY
EXCITED) WOUND MOTORS
(DCX and NCX products)



TAB	FUNCTION
1	THROTTLE
2	THROTTLE
3	HORN
4	REVERSE
5	FDOT SWITCH
6	KSI (KEY SWITCH)
7	SOLENOID COIL
8	NOT-USED
9	LOGIC POWER (+)
10	B+ POWER (CAPS)
B+	BATTERY POSITIVE
B-	BATTERY NEGATIVE
M-	MOTOR MINUS
F1	MOTOR FIELD
F2	MOTOR FIELD

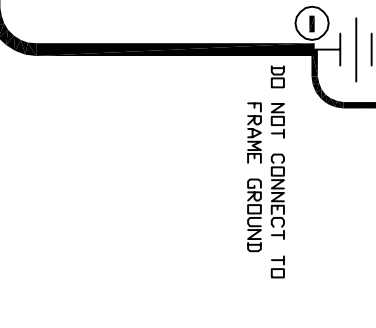
NOTES:

- * FUSES REQUIRED FOR ALL INSTALLATIONS
- * DIODE REQUIRED ACROSS COILS / RELAYS
- * TOW/RUN SWITCH PREVENTS REGEN WHILE TOWING
- > ASSUMES FDOTSWITCH IS OPEN WHEN THROTTLE OFF WITHOUT NOTICE
- > ALLTRAX RESERVES THE RIGHT TO CHANGE DOCUMENTATION
- > ALLTRAX MAKES NO WARRANTY AS TO THE ACCURACY, SUFFICIENCY, OR SUITABILITY OF ANY TECHNICAL OR OTHER INFORMATION PROVIDED
- > SEE OPERATORS MANUAL FOR MORE INFORMATION



RECOMMENDATIONS	MOTOR
3kW, 4HP	>4kW, 5.5HP
DCX300	DCX400
	DCX500
	DCX600

POWER WIRE GAUGE	STOCK (6AWG)
DCX-300	4AWG
DCX-400	4AWG
DCX-500	4AWG-2AWG
DCX-600	2AWG-1/0



DO NOT SCALE DRAWING

REVISIONS			
REV.	ECO.	DATE	APVD
A	41708	041708	RC

DWG SCALE: NTS	
DRAWN	R. Csuk
ENGR	D.Crockett

TITLE	
DCX to E-Z-GO PDS Car	Doc100-071
SIZE	S
DOCUMENT NO.	Doc100-071
REV.	A

ALLTRAX
1111 Cheney Creek Rd.
Grants Pass, OR 97327
PHONE:(541) 476-3565