

LED Status Indicator

LED Blink Codes:

At power up, # of green blinks indicates configured throttle type:

4 Green = EZ-GO inductive (ITS)

Normal display status:

Solid Green: Controller ready to run

Solid Red: Controller in programming mode

Solid Yellow: Controller throttle is wide open, controller is supplying max output, and is not in current limit.

Trouble Shooting

Error code display: # of RED blinks indicates any error conditions that might exist:

1 Red = Throttle Position Sensor Over Range. Check for open wires.

2 Red = Under Temperature. Controller below -25C

3 Red = HPD. Throttle hasn't gone to zero during this power on cycle.

4 Red = Over Temperature. Controller over 95C

5 Red = Open Field

6 Red = Battery Under Voltage detected. Battery V < under voltage slider

7 Red = Battery Over Voltage detected. Battery V > overvoltage slider

LIMITED WARRANTY

Alltrax, Inc., (hereafter Alltrax) warrants that the product purchased is free from defects in materials or workmanship for a period of **2 years** from the date of manufacture. This warranty does not apply to defects due directly or indirectly to misuse, abuse, negligence, accidents, repairs, or alterations. **Alltrax, Inc., shall in no event be liable for death, injuries to persons or property, or for incidental, contingent, or consequential damages arising through the use of our products.**

Alltrax assumes no liability for applications assistance or customer product design. Customers are responsible for products and applications using Alltrax products. Customers should provide adequate design and operating safeguards.

Alltrax specifically disclaims the implied warranties of merchantability and fitness for a particular purpose. However, some states do not allow limitations on how long an implied warranty lasts, so the preceding exclusion may not apply to you. This is Alltrax Inc.'s, sole written warranty. No other warranty is expressed or implied.

In the event you should need warranty repair, call Alltrax at (541) 476-3565. Products or parts shipped by Customer to Alltrax must be sent postage paid and packaged appropriately for safe shipment. Alltrax is not responsible for Customer products received without warranty service authorization and may be rejected.

Alltrax reserves the right to repair or replace merchandise at its option and reserves the right to make changes to any of its products or specifications without notice.

Alltrax, Inc.

1111 Cheney Creek Rd
Grants Pass, OR. 97527
Phone: 541-476-3565
Fax: 541-476-3566

Doc100-015-A_OP-NCX-Mini-Man.pub, 6-15-2006

ALLTRAX

www.alltraxinc.com

An Engineered Solution

NCX Mini-Manual For Stock PDS & DCS Only

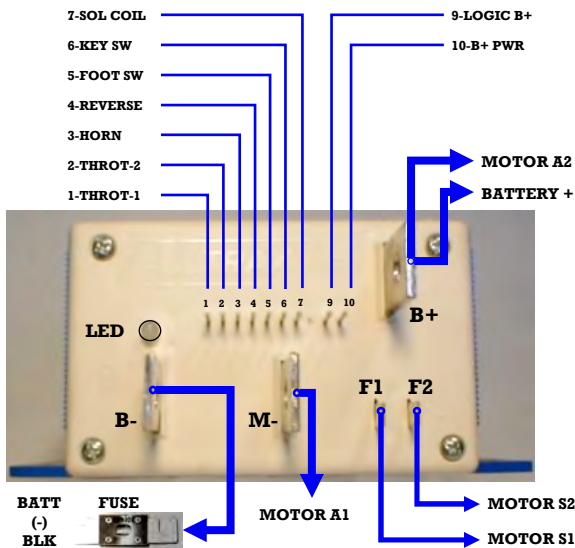


- **Non-Programmable**
- **300 and 400 Amp Peak**
- **24 to 48 Volt DC**
- **For Shunt Wound Motor**
- **Stock Vehicles Only**

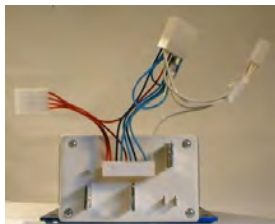
www.alltraxinc.com

QUICK INSTALLATION GUIDE

NCX Wiring Diagrams



DCS



PDS

For complete instructions and wiring diagrams for other configurations and vehicles please download our DCX Operators Manual from www.alltraxinc.com

DCS Models

Uses standard 9 pin wire harness:

Plug the stock wire harness onto the pins on the front of the controller.

PDS Models

Uses our PDXA harness (included):

Connect the 10 pin and two 4 pin connectors to the matching connectors on the stock wire harness.

Note: The 4 pin connector from the motor is not used in this application.

NCX Series Non-Programmable Motor Controllers

Our NCX DC Shunt motor controllers are designed to be stock replacement controllers for stock cars with stock motors only. With a peak current rating they are not designed for lifted or high performance vehicles.

For a high performance controller order our DCX motor controllers. NCX controllers are not programmable and must be ordered for the exact car you are installing them in.

(DCS or PDS only)



Safety Notes:

Alltrax recommends that all motor controller applications have a fuse in the battery circuit. Many vehicles do not have a fuse, and will need to have one installed. The following fuses manufactured by Bussman or Littelfuse are acceptable: For controllers rated at 400 amps or less use ANN250. On controllers rated at 450 amps or more use ANN400. [See: Doc100-016-A_OP-Fuse-Install-Guide.doc]

Alltrax also recommends a diode across the coil of the solenoid if it is not already installed. A minimum of a 100V 1A diode (a 1N4004 is suitable) is required. See complete wiring diagrams for orientation.

Working on electric vehicles, sudden unexpected events can occur, it's recommended to:

- Place the drive axle on jack stands—wheels off the floor
- When working on wiring or batteries, always remove rings and watches
- Use the proper safety equipment, eye protection, and insulated tools
- Disconnect batteries before installing or working on the controller

Alltrax, Inc.

1111 Cheney Creek Rd
Grants Pass, OR. 97527
Phone: 541-476-3565
Fax: 541-476-3566