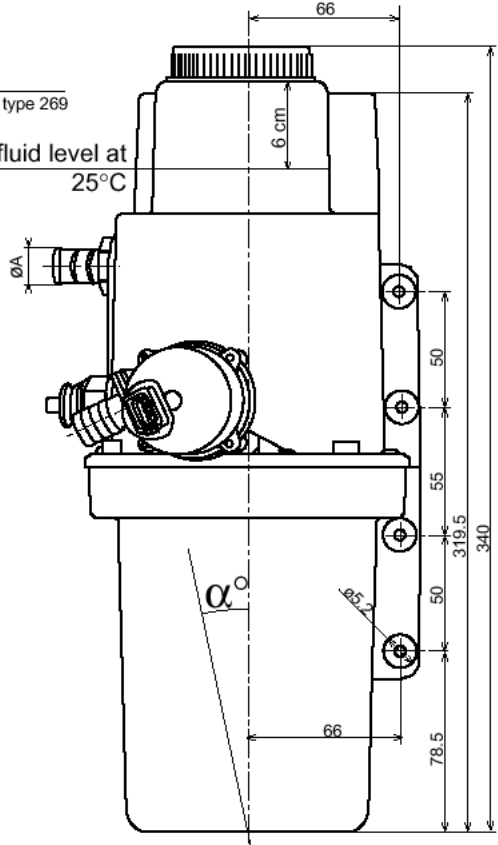
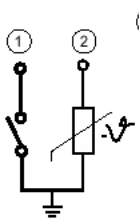


OPTIONAL:
 Thermostat type 264 or
 thermostat + thermistor type 269

Max fluid level at
 25°C



Max mounting angle $\alpha =$
 20 degrees



① Thermostat= MAX current for relay
 coil: 220 mA - 12 VDC
 Closing temperature: 85°C
 Opening temperature: 80°C

② Thermistor resistance values
 @ 60 °C : 565 ± 40 Ω
 @ 90 °C : 205 ± 10 Ω
 @ 120 °C : 88 ± 6 Ω