

INSTRUCTIONS

CAT. # 2C6-30 SINGLE INSTRUMENT

AMPS
0-500

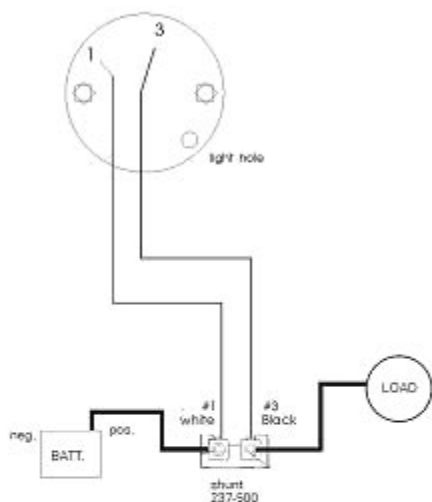
! IMPORTANT !

For lighting, order light kit # 186

To prevent damage to instrument, do not connect AMP to any other power source then the shunt.

If no reading: Check all connections.

If amp reading is reversed, then reverse pin #1 and #3 connections.



Install the instrument in a 2-1/16 hole, in convenient operating place. Use U clamp to hold in place.

Install the amp shunt between the positive battery and the load system.

On the rear of the instrument there are connecting pins with corresponding numbers.

Use patch cable provided to connect the instrument to the appropriate shunt. See illustration.

Connect pin #1 to the white shunt lead. Connect pin #3 to the black shunt lead. See illustration.

Patch cable may be shortened or lengthened without affecting accuracy of unit. Using 20-22 gauge stranded wire is recommended.