

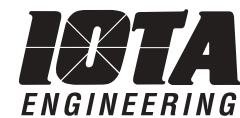
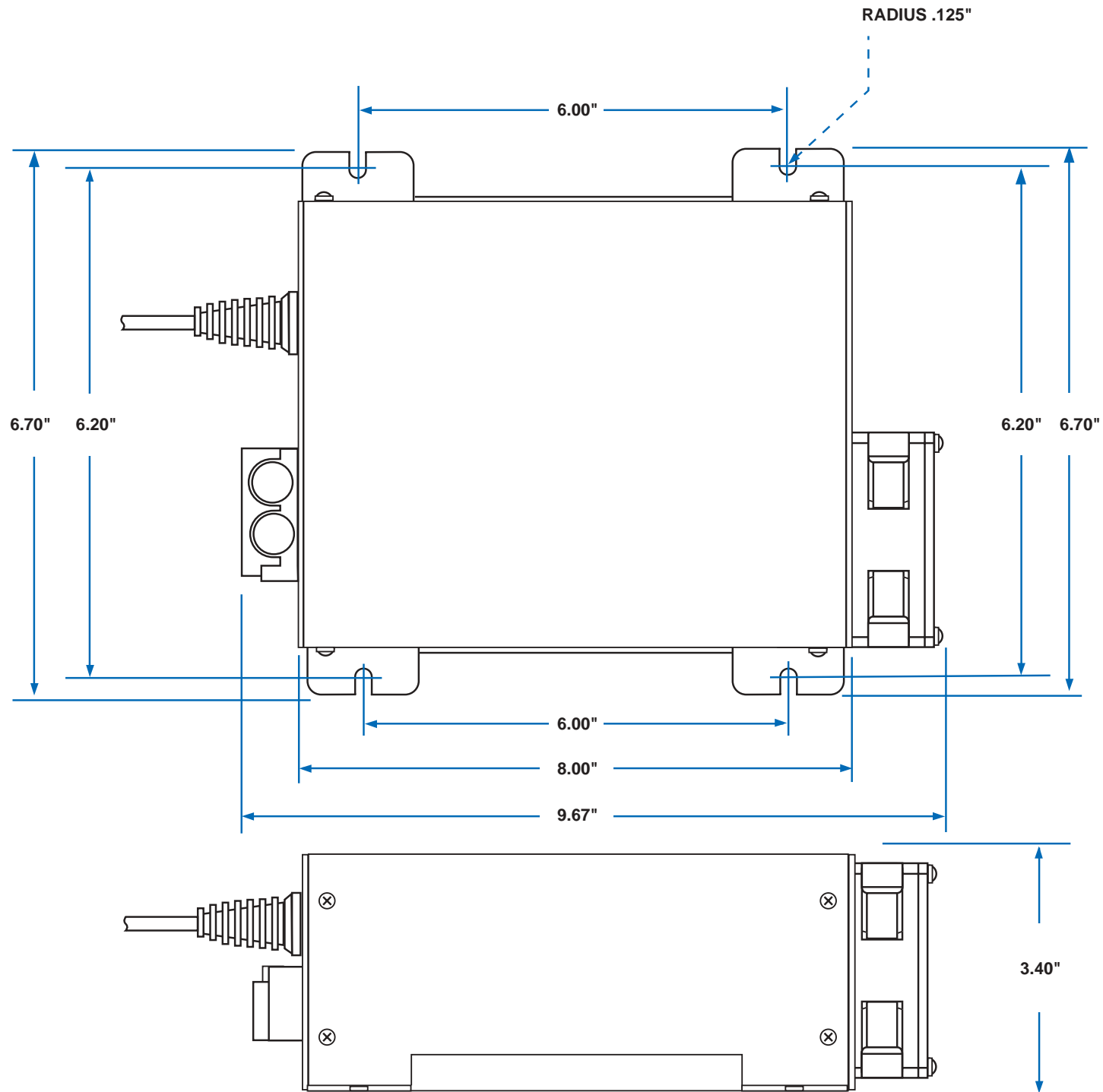
**MOUNTING SPECIFICATIONS**

DLS MODELS:  
 DLS-15 SERIES M\*  
 DLS-30 SERIES M\*  
 DLS-45 SERIES M  
 DLS-55 SERIES M  
 DLS 27-15 SERIES M  
 DLS 27-25 SERIES M

\* DIMENSIONS DIFFER ON OLDER SERIES M CHASSIS.  
 IF NECESSARY, CONTACT CUSTOMER SERVICE FOR  
 PROPER MOUNTING FOOTPRINT

**PROVIDE PROPER CLEARANCE  
 FOR AIR INTAKE TO FAN**

RECOMMENDED CLEARANCE  
 IS 4" OF CLEARANCE ON FAN END  
 AND 2 -3" OF CLEARANCE ON ALL  
 OTHER SIDES



P.O. BOX 11846 TUCSON, AZ 85734  
 (520) 294-3292 · FAX (520) 741-2837  
 www.iotaengineering.com