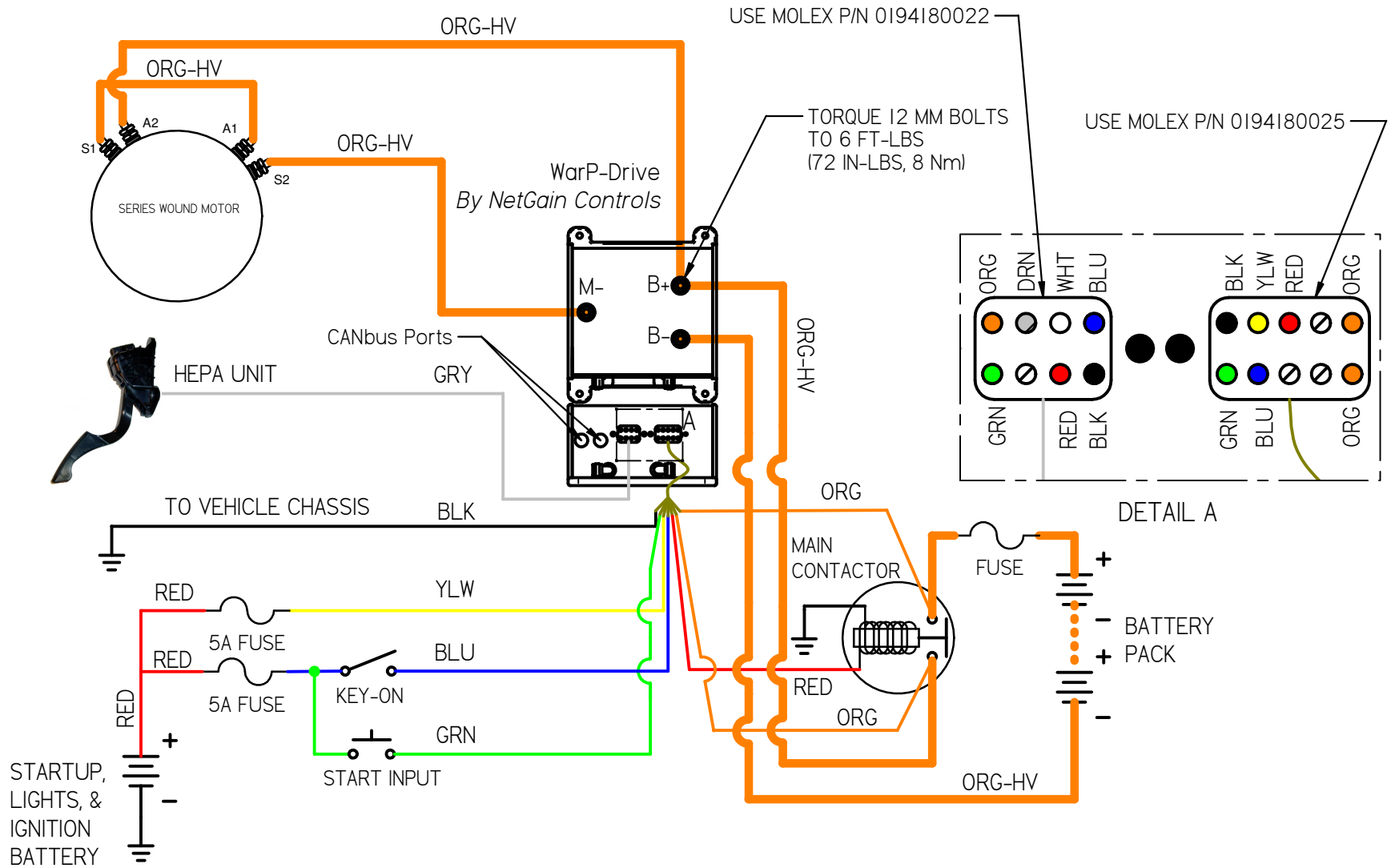


REVISION HISTORY			
REV	DESCRIPTION	DATE	APPROVED
0	DRAWN ON CAD	10/07/09	



NOTES:

1. HV = High Voltage Wire
2. Orange Wires on 3 pin connector are not polarity sensitive
3. Motor Wiring is based on NetGain WarP series motors recommended connection method. For full documentation, visit www.go-ev.com

NAME	DATE	NetGain Controls, Inc.	
DRAWN: FRED	10/07/09	TITLE: WarP-Drive Wiring Diagram	
CHECKED: RYAN		SIZE: A	PART NO. (PART NO.)
PLOT DATE: 10/14/09		WarP-Drive Wiring Schematic.dft	
THIS DRAWING IS THE PROPERTY OF NETGAIN CONTROLS, INC AND IS NOT TO BE USED FOR ANY PURPOSE OTHER THAN THAT FOR WHICH IT WAS SPECIFICALLY FURNISHED		SCALE:	WEIGHT:
		REV: 0	